

**CUT-OFF MACHINE
BRILLANT 230**



The Brillant 230 is a wet abrasive cut-off machine with fine dynamic, manual wheel movement into samples up to Ø 110 mm.

The spacious cutting chamber allows various clamping variations. The solid aluminium design comes with openings on the right and left hand side for cutting continuous long parts.



FINE DYNAMIC CUT-OFF

With the manual cutting movement, the cutting force is regulated through a set of gears. The cut is thereby jerk-free and more precise.

MANUAL HORIZONTAL MOVEMENT

The manual horizontal movement allows cutting long parts longitudinally and easy positioning of the sample below the cut-off wheel.



INNOVATIVE DETAILS

The sliding front door and the side door with safety interlock allow easy and optimal access to the cutter chamber. Further, the LED cutting chamber illumination is energy-saving. The arbour is protected against wearing by an interchangeable ring.

Z-AXIS

The manual Z-axis can be adjusted with 0.1 mm precision for parallel cuts.



BASIC MODULE

Brillant 230



- | precise manual vertical movement with a adjustable lever
- | table adjustable in x-direction
- | sliding door and side door with door interlock
- | T-slot table, stainless steel
- | opening on left- and righthand side for continuous long materials
- | chamber illumination with LED, arbour with protector
- | Easy-nut – for easy change of cut-off wheel
- | solid aluminium design, powder coated

Order No.: M1820000

EQUIPMENT

POWER SUPPLY

Equipment 1

400 V/50 Hz (3Ph/N/PE)

Order No.: A1820015

Equipment 2

480 V/60 Hz (3Ph/PE)

Order No.: A1820016

Equipment 3

220 V/60 Hz (3Ph/PE)

Order No.: A1820017

WHEEL GUARD

Equipment 1

Cut-off wheel \varnothing 254/10"

Max. cutting capacity \varnothing 85 mm

Order No.: A1820013

Equipment 2

Cut-off wheel \varnothing 305/12"

Max. cutting capacity \varnothing 110 mm

Order No.: A1820014



Manuelle Z-Achse

TABLE DRIVE

Equipment 1

without
(without X-axis, without Z-axis)

Order No.: A1820028

Equipment 3

Z-axis manual
(without X-axis)

Order No.: A1820030

Equipment 2

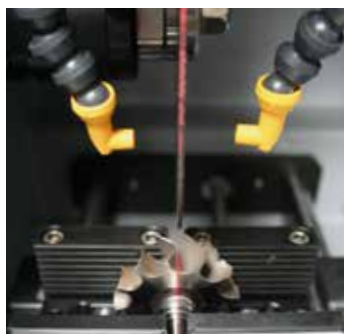
X-axis manual
(without Z-axis)

Order No.: A1820029

Equipment 4

X-axis manual/
Z-axis manual

Order No.: A1820031



OPTION

LASER ALIGNMENT AID

- | laser line to visualize the cutting line
- | laser class 1

Order No.: A1820027

ACCESSORIES
RECIRCULATION COOLING SYSTEM


- | 2-chamber-pvc-compartment 45 ltr.
- | inlet sieve and filter bag
- | mobile with insertion mechanism for System Lab cabinets



- | incl. connection set
- | controlled by cut-off machine
- | mobile

WxHxD 366 x 540 (640) x 610 mm

WxHxD 366 x 550 x 600 mm

400 V/50 Hz (3Ph/PE)

400 V/50 Hz (3Ph/PE)

Order No.: A5800484

Order No.: A5800487

480 V/60 Hz (3Ph/PE)

480 V/60 Hz (3Ph/PE)

Order No.: A5800485

Order No.: A5800488

220 V/60 Hz (3Ph/PE)

220 V/60 Hz (3Ph/PE)

Order No.: A5800486

Order No.: A5800489

BELT FILTER SYSTEM 130

- | incl. filter roll



Tank 130 ltr.

Filter capacity 30 ltr./min (referring emulsion)

Pump 15 ltr./min

WxHxD 607 x 632 x 1308 mm

Weight ~ 90 kg

400 V/50 Hz (3Ph/PE)

Order No.: A6501009

480 V/60 Hz (3Ph/PE)

Order No.: A6501011

220 V/60 Hz (3Ph/PE)

Order No.: A6501010

CENTRIFUGAL SEPARATOR

- | to remove coolant mist
- | increases quality of illumination
- | exhauster power 180 or 215 m³/h depends on power supply



400 V/50 Hz (3Ph/PE)

Order No.: Z1820009

480 V/60 Hz (3Ph/PE)

Order No.: Z1820012

220 V/60 Hz (3Ph/PE)

Order No.: Z1820011

BASIC SET BRILLANT 230

Order No.: Z1820005

CONNECTION SET 230/250

- | for belt filter system please order connection set

Order No.: Z6501004



Clamping example

SPECIFICATIONS

Max. cutting capacity	1	Ø 85 mm (Ø 254 mm cut-off wheel)
	2	Ø 110 mm (Ø 305 mm cut-off wheel)

Cut-off wheel	1	Ø 254 mm/10"
	2	Ø 305 mm/12"

Arbour size	Ø 32 mm
-------------	---------

Vertical movement	125 mm
-------------------	--------

Table WxD	1	380 x 250 mm (without Z-axis)
	2	300 x 250 mm (with Z-axis)

T-slot	12 mm
--------	-------

Speed	2750 rpm
-------	----------

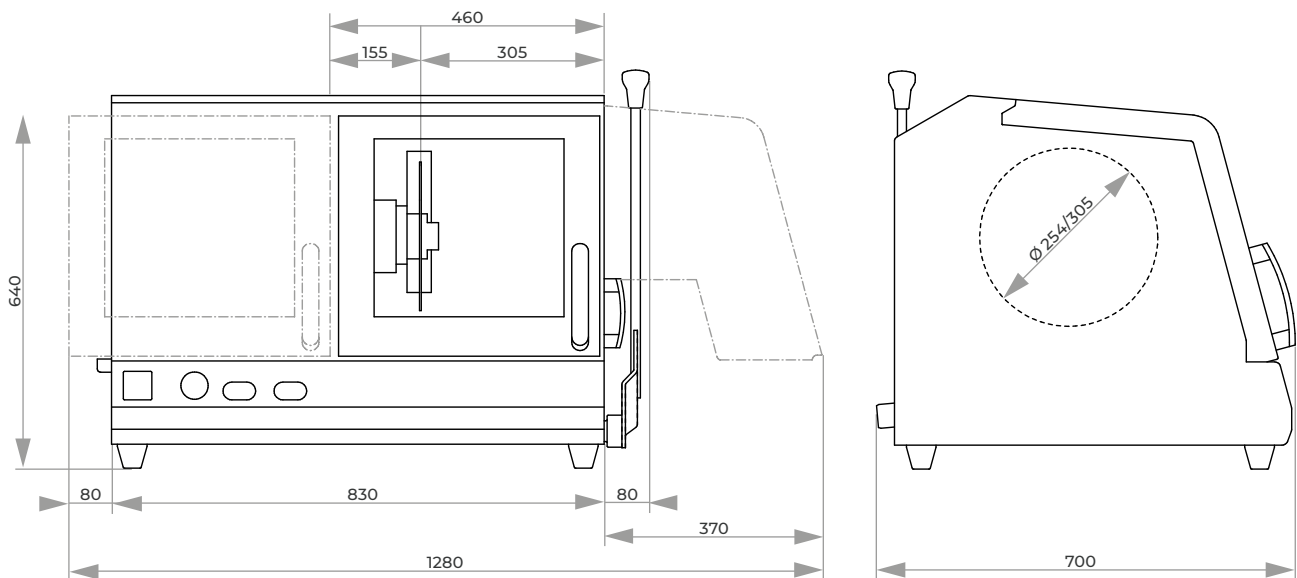
Motor cut-off wheel	4 kW, S1-mode
---------------------	---------------

Connected load	6 kVA
----------------	-------

Power supply	1	400 V/50 Hz (3Ph/N/PE)
	2	480 V/60 Hz (3Ph/PE)
	3	220 V/60 Hz (3Ph/PE)

WxHxD	~ 830 x 640 x 670 mm
-------	----------------------

Weight	~ 130 kg
--------	----------



NEURTEK
i n s t r u m e n t s