

Crockmeter 418

Rub and Color Transfer Testing

TABER
INDUSTRIES

AS9100B & ISO 9001:2008 CERTIFIED

Measure the amount of color transfer from rubbing.

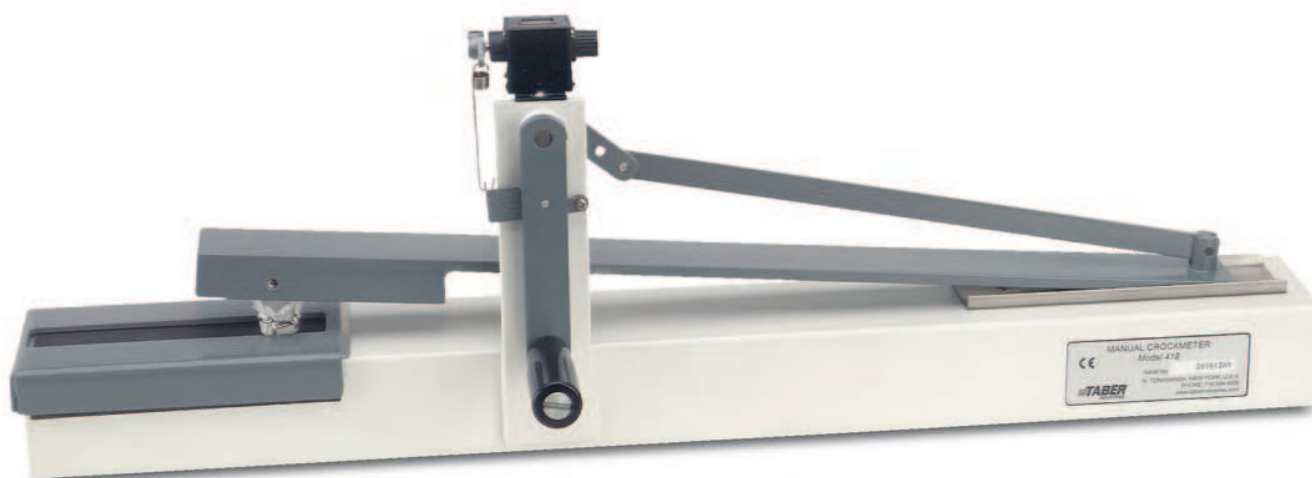
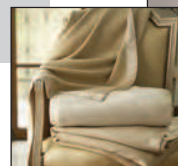
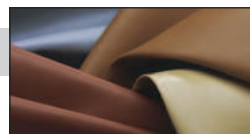
The Crockmeter is a relatively simple rub tester commonly used to determine the amount of color transferred from textile materials to other surfaces by rubbing. This instrument has also been utilized to conduct smudge or smear resistance tests on images produced by a printer or copier. For paints and coatings, the crockmeter is useful when evaluating the change in gloss due to rubbing, scuffing or marring.

Easy to use, rugged design provides repeatable test results.

A test sample is clamped to the instrument base and a square of standard crocking cloth is fixed to a 16mm diameter, acrylic rubbing finger. The finger rests on the sample with a pressure of 900 grams force and traverses a straight path approximately 100mm long with each stroke of the arm.

Established rating scales standardize evaluation and facilitate repeatable results.

After testing textile materials, the crocking cloth is removed and compared against the AATCC Gray Scale for Staining or Chromatic Transference Scale. Based on this comparison, the operator assigns a grade to the color change or amount of color transfer.



Crockmeter 418

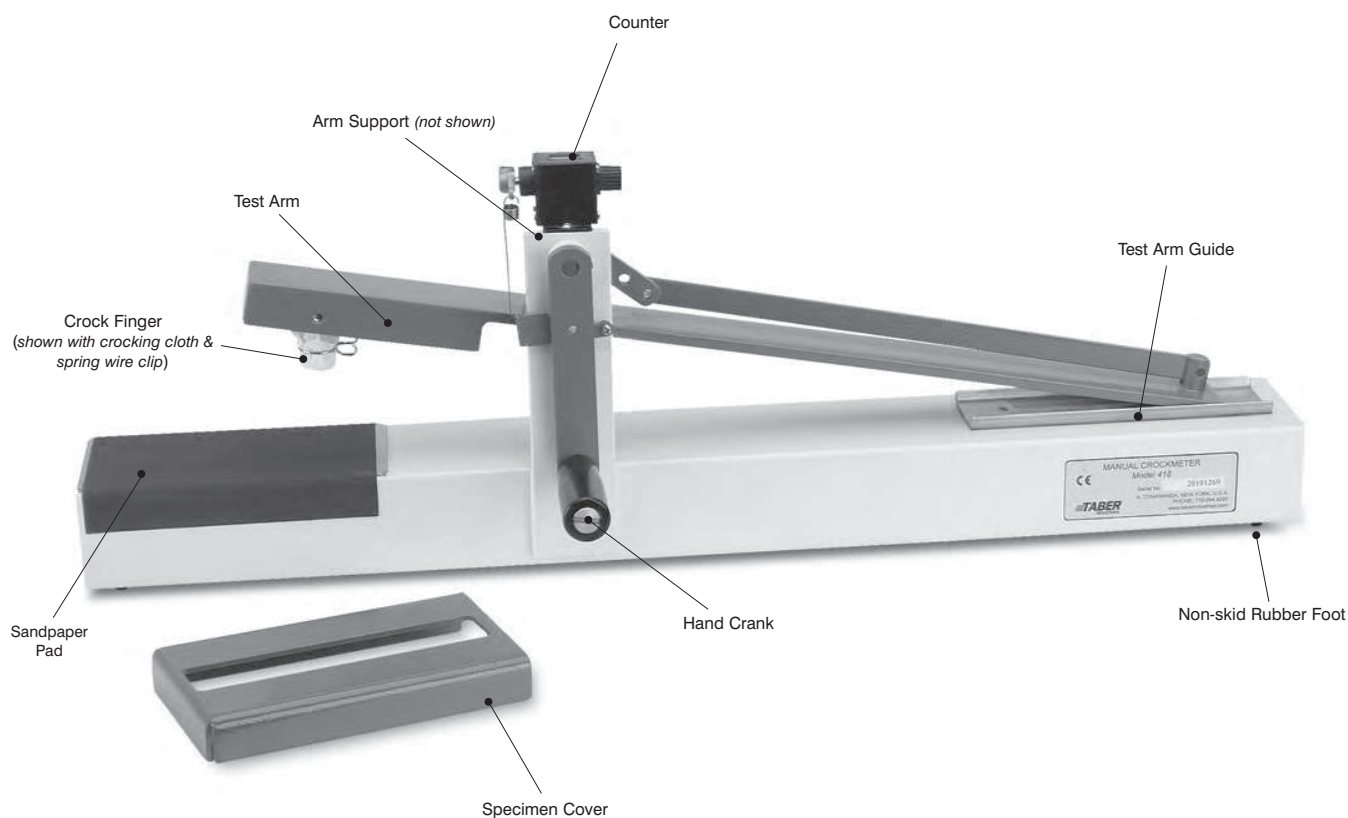
Rub and Color Transfer Testing

Standard Features:

Counter
Acrylic Crock Finger and Spring Wire Clip
Hand Crank Assembly
9N Load (incorporated in test arm)
Detachable Specimen Cover
Rugged Housing
Non-skid Rubber Feet
CE

Crockmeter 418 Includes:

Base Unit
Sandpaper Pads, 2 each
Crocking Cloths, 1000 package
Extra Spring Wire Clip
Operating Instructions



Send us your material for a
product demonstration

TABER
INDUSTRIES