

Test stand

HV-1000N series

Manual Test Stand



[Applications]

- Various material testing up to 1000N
(measuring of tensile strength, compressive strength, shearing strength and etc).
- Analysis of mechanical parts for break point and free fit.

[Feature]

- Stable measuring by feed screw features with small step of the travel length.
- Operation efficiency is excellent due to its spacious design.
- Optional scale unit implements scaling its travel length.

HV-1000N
2018/01/16

[HV-1000N series models]

Model	Capacity	Max. sample height *1	Scale unit
HV-1000N	1000N	375mm	-
HV-1000N-S			○
HV-1000N-L	500N	525mm	-
HV-1000N-L-S			○

*1 Max. sample height refers to the distance between the table and the tip of ZT series force gauge's measuring shaft when the head is at the top.

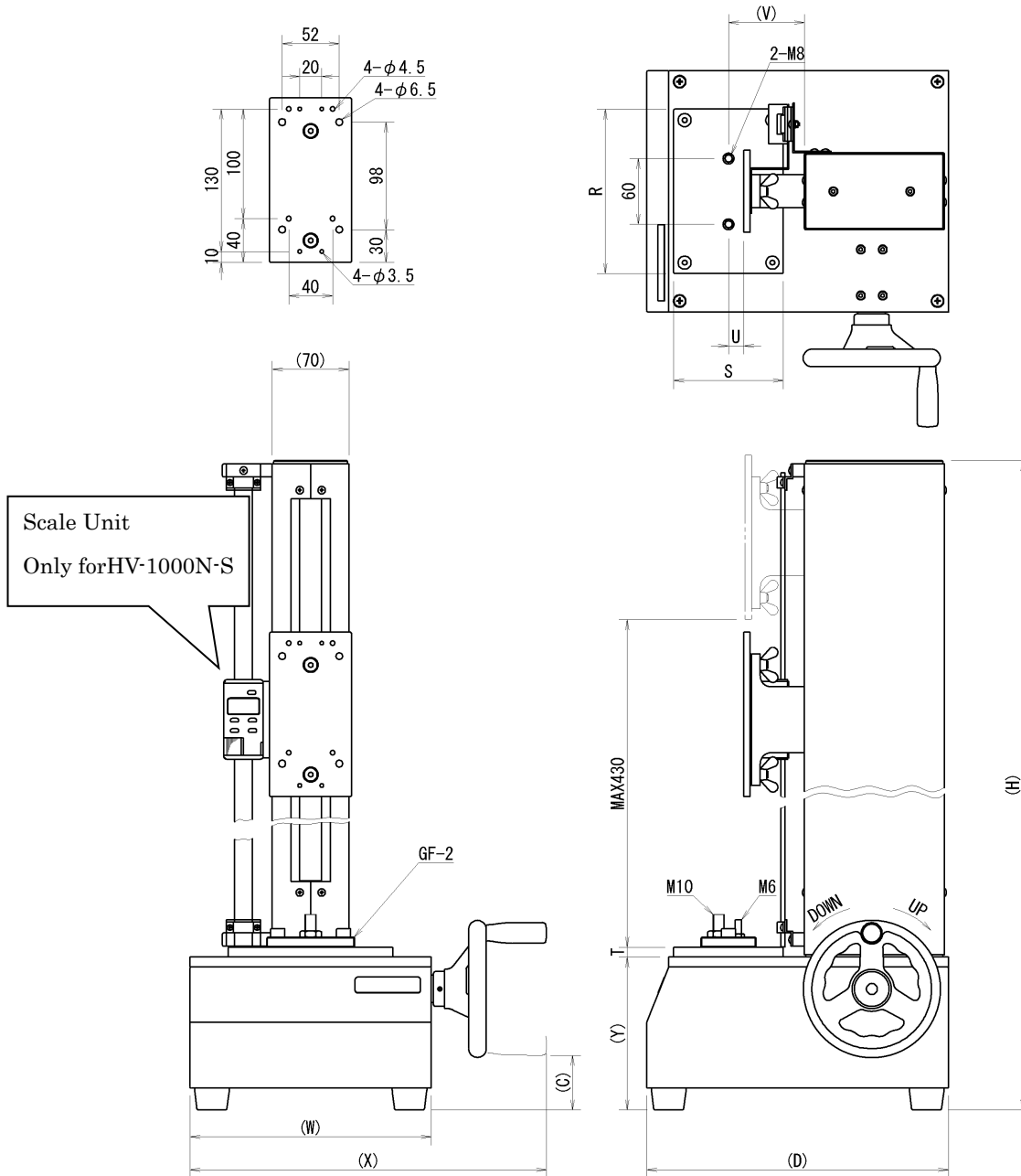
[HV-1000N series specifications]

Model	HV-1000N series
Capacity	1000N
Max. sample height	Approx. 375mm
Feeding method	Feed screw with 3mm lead
Travel	1.2 mm / every complete turn of hand wheel
Table	150 x 100 mm, Steel
Force gauge	Imada mechanical / digital force gauge
Dimensions	See dimensions
Wight	Approx. 18kg
Accessories	Grip mount GF-2 (with M10/M6 thread)
Scale unit (option *1)	Resolution: 0.01mm Zero / Origin

*1 Factory built only

HV-1000N
2018/01/16

[Dimensions]



	W	D	H	X	Y	C	R	S	T	U	V
HV-1000N	200	275	730	305	139.5	50	150	100	9	15(13.2*1)	69.3

*1 ... HV-1000N-S

[Note]

- Force gauge is not included with this test stand.
- Various optional attachments are available.
- Please do not apply the load exceeding force of capacity.
- Please avoid rapid temperature change, high humidity, the water, the dust, and the strong shock.
- It may change without a preliminary announcement for improvement etc.

HV-1000N
2018/01/16