

Test stand

---

**HV-3000N series**

## Manual Test Stand



### [Applications]

- Various material testing up to 3000N  
(measuring of tensile strength, compressive strength, shearing strength and etc).
- Analysis of mechanical parts for break point and free fit.

### [Feature]

- Stable measuring by feed screw features with small step of the travel length.
- Operation efficiency is excellent due to its spacious design.
- Optional scale unit implements scaling its travel length.

HV-3000N  
2018/01/16

**[HV-3000N series models]**

Model	Capacity	Max. sample height *1	Scale unit
HV-3000N	3000N	415mm	-
HV-3000N-S			Yes

\*1 Max. sample height refers to the distance between the table and the tip of high capacity mode ZT series force gauge's measuring shaft when the head is at the top.

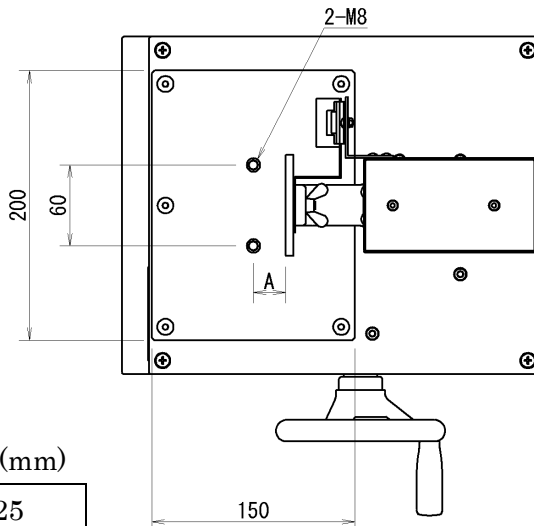
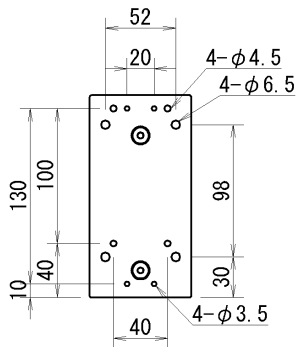
**[HV-3000N series specifications]**

Model	<b>HV-3000N series</b>
Capacity	3000N
Max. sample height	Approx. 415mm
Feeding method	Ball screw with 4mm lead
Travel	0.6 mm / every complete turn of hand wheel
Table	200 x 150 mm, Steel
Force gauge	Imada mechanical / digital force gauge
Dimensions	See dimensions
Wight	Approx. 24kg
Accessories	Grip mount GF-2 (with M10/M6 thread)
Scale unit (option *1)	Resolution: 0.01mm Zero / Origin

\*1 Factory built only for HV-3000N-S

HV-3000N  
2018/01/16

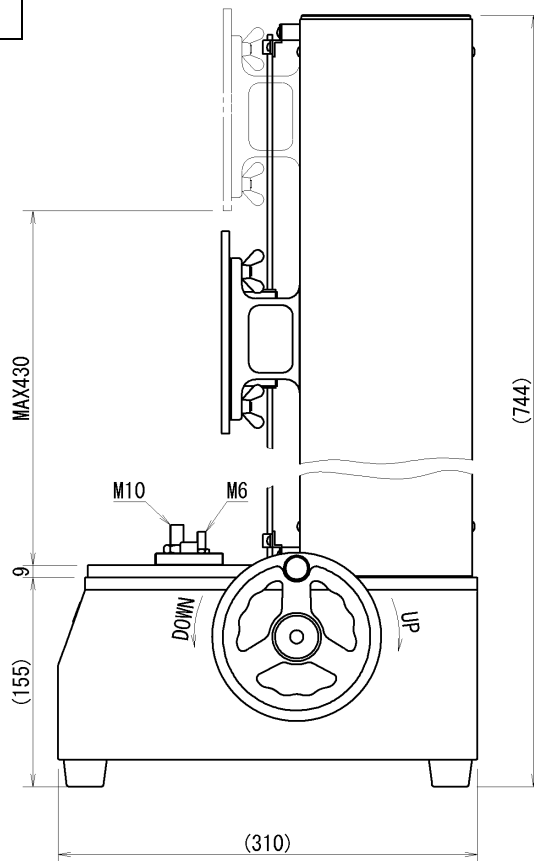
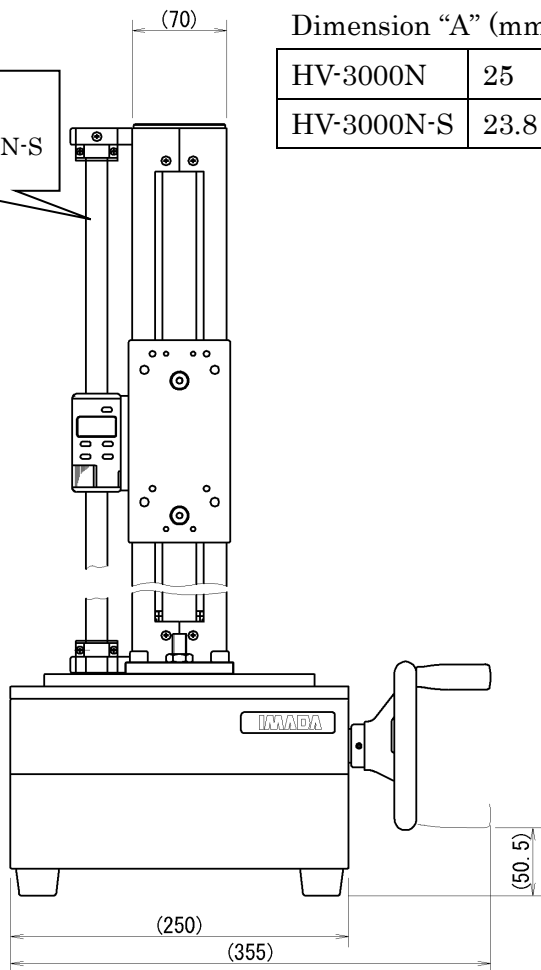
[Dimensions]



Dimension "A" (mm)

HV-3000N	25
HV-3000N-S	23.8

Scale Unit  
Only for HV-3000N-S



[Note]

- Force gauge is not included with this test stand.
- Various optional attachments are available.
- Please do not apply the load exceeding force of capacity.
- Please avoid rapid temperature change, high humidity, the water, the dust, and the strong shock.
- It may change without a preliminary announcement for improvement etc.