

Grit Feeder 155/255

TABER[®]
INDUSTRIES
ISO 9001 REGISTERED

Three-Body Abrasion Testing

Expand testing methods for Taber Rotary Abrasers.

The Grit Feeder is used to evaluate three body abrasion caused by the destructive action of fine hard particles. Loose grit passes under a pair of leather clad brass wheels, and serves as the abradant. The resulting rolling action of the particles contributes to the physical breakdown of materials.

Instrument evenly distributes grit particles.

Positioned over a Taber Rotary Abraser, this freestanding unit deposits aluminum oxide grit particles uniformly and continuously, at a specified rate. After passing under the leather wheels, used grit and any abraded material is removed by the Abraser vacuum system.

Two models offer simple set up.

Mounted off the left side of the Abraser, Model 155 utilizes an alignment guide screw to set the position of the instrument. Grit distributor and vacuum removal nozzle heights are adjusted using a thumbscrew. An alignment block is incorporated into the base of Model 255, to ensure the correct location of the grit feeder in relation to the Abraser. With the ability to mount on either the right or left hand side, two instruments can be used in conjunction with Taber's Dual Rotary Abraser. A telescoping feature allows precise height adjustments, and permits testing of thicker specimens, up to 50 mm (2 inches).



NEURTEK
i n s t r u m e n t s



Grit Feeder Model 155 shown with Taber Rotary Abraser (not included)

Grit Feeder 155/255

Three-Body Abrasion Testing



Available in Two Models:

Model 155

Hopper capacity, approx. 1,300 grams

Model 255

Hopper capacity, approx. 14,500 grams

Mounts to left or right side

Adjustable height

Grit Feeder Includes:

Leather Wheel Set (S-39)

Standardization Plates (S-38)

#240 Aluminum Oxide (S-41)

Alignment Guide and Mounting Hardware

Standard Features:

Plugs into accessory receptacle on rear of Taber Abraser

Adjustable feed rate

Alignment guide



Optional Accessories:

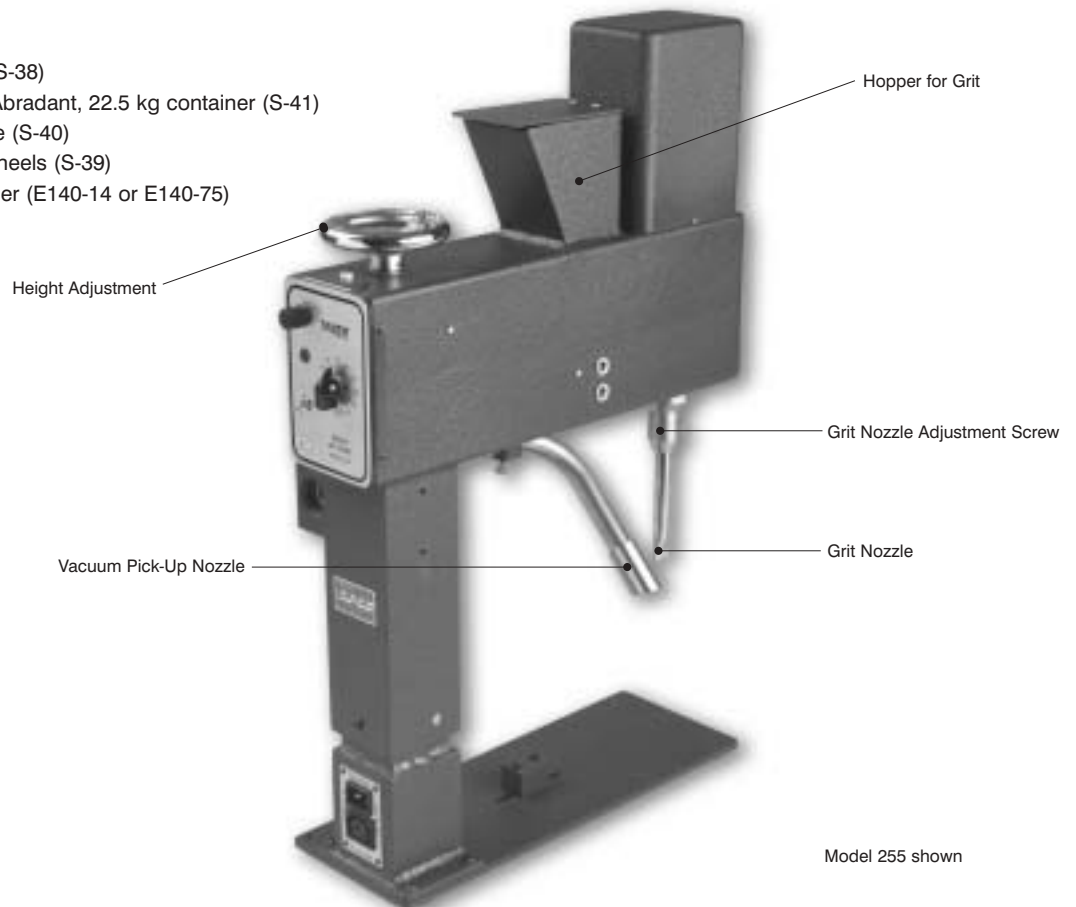
Standardization Plates (S-38)

#240 Aluminum Oxide Abradant, 22.5 kg container (S-41)

U.S. Standard #80 Sieve (S-40)

Replacement Leather Wheels (S-39)

Rimmed Specimen Holder (E140-14 or E140-75)



NEURTEK distribuidor oficial:

